

AMAT CENTURA 5200 FIELD AUDIT SHEET

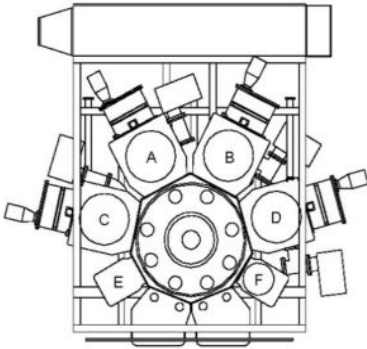
1. GENERAL INFORMATION

FAB :	TOSHIBA	Equip ID :	
Process :	DPS Metal	Date	2016. 01. 29
Maker :	AMAT	Model :	CENTURA II
S/N :	20750	Manufactured Date :	2007

2. WAFER SPECIFICATION

Wafer Size		150mm		200MM	ETC	
Wafer Shape	O	SNNF	O	JMF	ETC	
SMIF Interface	O	NO	O	YES	ETC	

3. SYSTEM INFORMATION



DPS R1	CHAMBER A	DPS R1	CHAMBER B
ASP+	CHAMBER C	ASP+	CHAMBER D
FAST COOLDOWN	CHAMBER E	ORIENT	CHAMBER F

Loadlock A :	NB	Loadlock B :	NB
Software Version :	-	System Umbricals :	20ft
Signal Tower :	None	System Placement :	System Alone
Wafer Sensor Q'ty :	8	Gem	O OTF X
SMIF :	-		
EPD CONTROLLER :	YES		
ESC :	POLYMIDE		
DOME LAMP DRIVER	YES		2ea

4. CHAMBER detail

Ch	RF Match	RF Generator	Turbo Pump	Throttle Valve	Monometer
CH#A	TOP	GMW-25	STP-1303CV3	YES	DUAL 0.1T, 10T
	BIAS	SG-1000IV			
CH#B	TOP	GMW-25	STP-1303CV3	YES	DUAL 0.1T, 10T
	BIAS	SG-1000IV			
CH#C	MW	AX2115	x	YES, STD	DUAL 0.1T, 10T
CH#D	MW	AX2115	x	YES, STD	DUAL 0.1T, 10T

5. ELECTRICAL

Line Frequency

50/60HZ

System Power

208VAC, 4 WIRES, 3 PHASE DELTA

UPS Power

6. SYSTEM MONITOR

1st Mniton

Through The Wall

Stand Alone

2nd Mniton

-

Through The Wall

-

Stand Alone

3rd Mniton

-

NONE

-

YES

7. MAINFRAME INFORMATION

System Placement

Stand Alone

TTW

Robot Blade

CERAMIC

Robot Type

VHP+

W/F Slippage Sensor

YES

L/L Wafer Mapping

YES

N2 Purge

YES

Slit Valve & plate type

STANDARD

o-ring, bonded ...

8. Heat Exchanger(Chiller)

4

QTY

Heat Exchanger 1 :

HX-150

Heat Exchanger 2 :

HX-150

Heat Exchanger 3 :

HX-150

Heat Exchanger 4 :

AMAT1

9. DRY Pumps

CHAMBER A

Overhaul 中

LOADLOCK

AA20N

CHAMBER B

Overhaul 中

TRANSFER

AA20N

CHAMBER C

AA40WN

CHAMBER D

AA40WN

10. Gas Pannel Configuration

CHAMBER A

CHAMBER B

CHAMBER C

CHAMBER D

7 CH

7 CH

7 CH

6 CH

CH A		
CL2	200 sccm	SEC-Z512MGX
BCL3	200 sccm	SEC-Z512MGX
O2	200 sccm	SEC-Z512MGX
CHF3	20 sccm	UFC-8161
N2	20 sccm	SEC-Z512MGX
N2	200 sccm	UFC-8161
Ar	100 sccm	SEC-Z512MGX

CH B		
CL2	200 sccm	SEC-Z512MGX
BCL3	200 sccm	SEC-Z512MGX
O2	200 sccm	SEC-Z512MGX
CHF3	20 sccm	UFC-8160
N2	20 sccm	SEC-Z512MGX
N2	200 sccm	UFC-8161
Ar	100 sccm	SEC-Z512MGX

CH C		
N2	500 sccm	UFC-8161
CL2O2	5 slm	UFC-8161
N2	1 slm	SEC-Z512MGX
H2O	750 sccm	VC-4900MEPR

CH D		
N2	500 sccm	UFC-8161
CL2O2	5 slm	UFC-8161
N2	1 slm	UFC-8161
H2O	750 sccm	VC-4900MEPR

11. SYSTEM CONTROLLER

Slot#	Top Rack BD	Present	Slot #	Bottom Rack BD	Present
1	Serial Isorate	O	26	Chamber C DI/O 2	O
2	System Rese	O	27	Chamber D DI/O 1	O
3	Lk Det 1&2 or Conv/TC	O	28	Chamber D DI/O 2	O
4	Lk Det 3&4 or Conv/TC	x	29	Chamber E DI/O	O
5	Lk Det 5&6 or Conv/TC	O	30	Synergy SBC V452	O
6	Lk Det 7&8 or Conv/TC	O	31	VGA/486 V Contrlr	O